

# Think electric.



TECHNOLOGY OF THE FUTURE, TODAY.



**mini Z400**



**ELISE LINE MK3**

# DREAMS COME TRUE

*„This is my childhood dream come true! Electric and truly useful, powerful machines that actually move and work by themselves. They are agile and capable, they help people and at the same time they don't harm the environment at all.“*

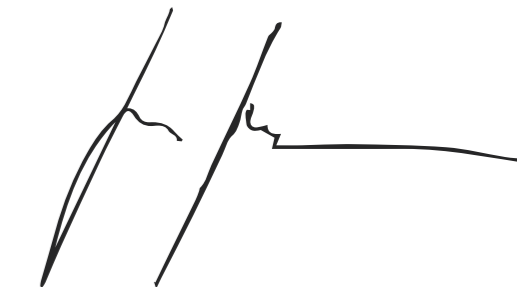
No virtual world, no Lego toys, no little models I used to play with as a kid. But real machines, our skid steer loaders. And you know what the best part is? They're made in our new factory in the Czech Republic, just outside of Kladno.

Made by our own team of people enthusiastic about working in our company, who are incredibly skilled, honest and hard-working. Some of them have been by our side since the very beginning, from when we have moved from a neighbouring country. We managed to transform and grow in record time. With uncertainty and anxiety, but with respect. It's not always easy, but we enjoy it. We want to work with honesty, and fight for our place in the sun, facing fierce competition from around the world. But we believe - in ourselves, in our work, development and abilities. And most of all, in our machines.

We have combined the best of our Czech and Slovak teams, and now we have our electric machines we are proud of - Elise 900 and MiniZ 400. And I personally hope that it doesn't end just with them...

This is the realization of my childhood dream and proof that dreams and not only children's dreams really do come true!

**MARTIN HAVRDA**  
CHAIRMAN OF THE BOARD  
FIRSTGREEN Industries



Arbol is a tree that grows and branches gradually. Its strength comes from its roots, which are strong, deep and stable. And on such a foundation lies the common dream of doing business the right way - responsibly and with a vision of the future.



**First Green Industries, a. s.**

Innovative production of 100% environmentally friendly loaders with a global reach.



**Labit a. s.**

Development company focusing on ecological projects in the Vrchlabí area. Our goal is to actively help improve the environment and bring new life to Vrchlabí.



**Arbol Rokytnice, s. r. o.**

Phased development of exclusive and original mountain apartments in of the best resorts in Rokytnice nad Jizerou, in the heart of the Krkonoše Mountains.



**Apartmány Konírna**

Development of luxury mountain apartments within the Dřevona recreational area.



**Apartmány Dřevona**

Complete reconstruction of a sports and recreation complex in the Jizera Mountains.



**Planet A, a. s.**

Building a telecommunications company with subsequent sale to a strategic partner.



**Česká lékárna, a. s.**

Establishment of a chain of pharmacies with subsequent sale to a domestic financial group.

# HISTORY

## INTRODUCTION OF ARBOL CAPITAL

The production of the Elise 900 and MiniZ 400 is now carried out under a separate business entity and both machines are entering the global market. The project has started in Slovakia and surrounding countries and is rapidly expanding to other countries not only in Europe but also overseas. The new sales team has big ambitions and is preparing to build an international partner network.

2021

## MOVING TO CZECH REPUBLIC

Arbol Capital, together with key managers and engineers, controls 100% of the company's shares. Along with the change of ownership, production is now being moved to a brand-new manufacturing facility in Velká Dobrá. In September 2021 the first machine is produced in the new factory and in October we officially introduce the factory to our partners and customers. We can now produce up to 700 machines per year. We end the year in 37 countries with more than 60 partners.

2022

## NEW GENERATION OF *ELISE 900*

The best example how much we value the opinion and shared experience with our customers is the new generation of our flagship product, the Elise 900. This 3rd generation machine has almost 40 improvements providing amazingly higher quality and better operational experience.

## OPENING OF NEW BRANCH IN US

To provide our overseas customers and partner network with timely delivery and the best customer service, we decided to open our first international subsidiary in Asheville, North Carolina. With significant stock of both Elise and MiniZ, combined with flexible and sufficient spare parts and logistics, we are able to serve the market with the highest possible quality.

## NEW TRAINING CENTRE IN THE CZECH REPUBLIC

Continuous improvement of our partner network requires regular technical, sales and marketing training. In order to provide the best support possible, we opened a new training centre in Prague for our European partners who are always welcome in our factory. Transparency towards our partners is one of the cornerstones of our company values.

2023

## NEW GENERATION OF *miniZ 400*

Our R&D team has currently finished the implementation of improvements to our MiniZ 400 compact loader and its production started in March 2023.

## *ELISE* CABINLESS VERSIONS

Cabinless, remotely operated loaders suitable for high-risk tasks.

COMING SOON

## THE FUTURE IS ELECTRIC

Our plans are once again a bit more ambitious. We are expanding the team, focusing on new markets and the R&D team is working with suppliers to develop a new generation of Elise 900, MiniZ 400 and electric attachments. And for our dealers, there is now a service and sales support department. And so far, we are still the only ones on the market...

**500+**  
Machines produced

**100+**  
Dealer locations

**3**  
Generations of machines

**75+**  
Staff

**2500 m<sup>3</sup>**  
Of production capacity

2024

2025

When we know what we want to achieve, anything is possible. We have a single-layer and flexible company structure. We're not a start-up or a corporation. We combine the best of both worlds.

*„Every unsolvable problem has a simple solution. You just have to find it in a reasonable amount of time.“*

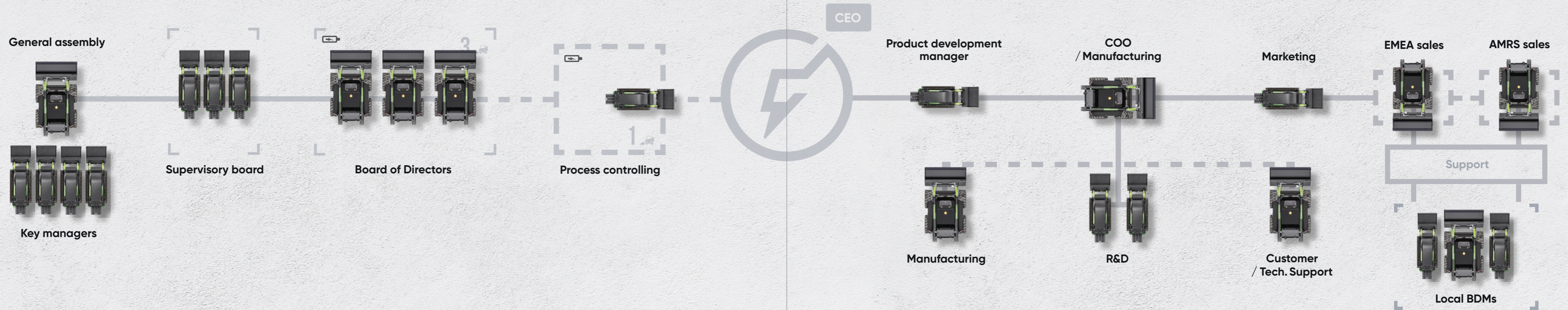
**SLAVO PETRENEC**  
CHIEF DEVELOPER



# FLEXIBILITY

# FLEXIBILITY

# Company structure



We always lay our cards on the table and play fair. And it doesn't matter whether it's our employees, partners, suppliers or customers.

*„Respect fair-play, tell the truth. That's fundamental. Whether in sport or at work, in life. It is not just about being able to win, but to lose with your head held high, humility and respect for your opponent. To learn from your losses and move on.“*

**MARTIN HAVRDA**  
CHAIRMAN OF THE BOARD



# HONESTY

# UPŘÍMNOST



# Martin Havrda

CEO, CHAIRMAN OF THE BOARD

Sport has been with me all my life. Apart from swimming, tennis and skiing, it was mainly modern pentathlon, five discordant, even aristocratic disciplines combined into one. Perhaps this is the source of my desire to try new fields, to develop companies, but also my diligence and ability not to be afraid of failure.

I am an economics graduate, I spent the final part of my studies in the USA, where I also had the opportunity to run a business. Two key people have shaped my view of the world and how to behave in life and in business. My long-time modern pentathlon coach, with whom much of my youth was spent, and then my dad, with whom I started and ran several successful businesses together. First it was the pharmacy business where I gained experience alongside him. Subsequently, my team and I spent 12 years building and running a telecoms company that became an exciting target for a multinational telecommunications operator.

*„Providing financial stability, strategic management and directing everything to work perfectly, grow healthily and prosper.“*



# Vítězslav Vojáček

INTRAGROUP CONTROLLING MANAGER

I have known Martin Havrda and his father for many years, and during that time we have developed a successful cooperation and relationship. I have worked in small, medium and large companies. Start-ups and corporations. And I'm very clear. Start-ups or companies in the early stages of development are many times more attractive to me. They force you to think about how to move the company forward, they force you to make decisions, then change them and maybe even correct the mistakes that have been made. It forces you to study the experiences of others, to repeatedly return to the same situations and revise them.

All this is tiring, but also exciting. But the main bonus of this situation is that one can influence things and the final effect is a product on which one's signature is visible. It's a bit like bringing up a child.

*„As the Intragroup Controlling Manager at FIRSTGREEN Industries entails overseeing and ensuring alignment within our internal group controls and processes. I strive to not just meet, but exceed, our standards and expectations because product such as ours deserves nothing less.“*

# Lukáš Rameš

MEMBER OF THE BOARD, COO

I graduated from CTU and then spent some time teaching future generations in IT. However, quite soon I moved into the real world of IT. I joined Martin and Hanka's team in 2012 at Planet A. At the end of 2020, I took over as the Chief Operating Office of FIRSTGREEN Industries.

I enjoy seemingly ordinary things. Gardening, working on the house I built almost entirely with my own hands, trips with my daughters. Or maybe a „cold one“ with friends at a raft in Central Bohemia, where I have lived all my life.

This practical life attitude allows me to accomplish things that sometimes seem like „mission impossible“.

*„I enjoy being with my colleagues directly in on the production floor, helping them solve specific tasks during assembly, putting my hands to work. And I also enjoy coming up with all sorts of improvements that could take the machines up another notch.“*



# Hana Holubová

MEMBER OF THE BOARD

I spent the first part of my professional life in the healthcare sector, but after my maternity leave, I took part in developing the family telecommunications company Planet A together with Martin. After its sale, I continued with Martin to the investment group Arbol Capital, where I am in charge of the operational running of the whole group and all its portfolio companies.

At FIRSTGREEN, as a member of the Board of Directors, I mainly take care of procedural matters, contractual relations and personnel policy.

*„I believe that the people I work with across all of our companies share a desire to do original and unusual things. The machines manufactured at FIRSTGREEN are perfect for this purpose.“*

We are not just a company that is economically successful. We are people and we care about others. We care about our employees, our co-workers. We care about our partners, our customers. We care about the country in which we do business. We pay our obligations and we don't look for loopholes. We care about our environment, nature, our children and the world around us. We are a responsible company with everything that goes with it.

*„We can do even the simplest, most insignificant thing in the world, but we do it to the best of our ability.“*

**TOMÁŠ BAŤA**

CZECH "KING SHOEMAKER"  
AND FOUNDER OF THE BAŤA EMPIRE



# RESPONSIBILITY

# ZODPOVĚDNOST

# Václav Audes

CHAIRMAN OF THE SUPERVISORY BOARD,  
LEGAL AFFAIRS

Before I graduated from Prague Law School, I spent half of my life abroad - in India, Germany, France and Spain.

Today, I am a partner at Havel Partners, a law firm that for many years has provided legal services to the Havrda family in all areas of their business and private activities. This cooperation has gradually grown into a business and personal friendship. The broader spectrum of family investments and the need for professional management resulted in the establishment of Arbol Capital. Here, I am involved in the investment strategy and I'm responsible for the investment pipeline, trading and legal compliance areas.

*„The countries I have lived in have enriched me with one insight: no matter whether a country is poorer or richer than the Czech Republic, there are always people who are a fountain of wisdom, have great goals and are an inspiration for a truly fulfilling life.“*



# Veronika Filipová

MEMBER OF THE SUPERVISORY BOARD,  
CONTROLLING, LEGAL AFFAIRS

I started my legal career in 2005 by studying at the Police Academy in Prague in the Master's degree in Law and Security Service. I continued my studies at the Law Faculty of Charles University in Prague. I primarily focus on corporate and commercial law.

I met Martin, Lukáš and Hana for the first time professionally during the acquisition process of their previous telecommunications company, through which I guided them (on behalf of the selling party) together with Václav. Immediately afterwards we started working together within the Arbol Capital group.

In FIRSTGREEN I am responsible for all contractual relations, all legal ties and process controlling. I am also a member of the supervisory board.

*„I love my family, my children, travelling, sports and walking. When I am in nature, I feel immense satisfaction that I am actively contributing to its conservation through my work. From my position as an attorney, this seems seemingly unrelated and not directly influential, but my colleagues and I know that this is our common interest and we each contribute our part.“*

We want to materialize our dreams and create machines that are unique, timeless and perhaps change the way we see the world. We want to do things that are meaningful, not only for ourselves, but for future generations.

*„I believe in our products and in our entire manufacturing and development team. We can do great things together.“*

**LUKÁŠ RAMEŠ**  
COO & MEMBER OF THE BOARD



Undisturbed serenity, only with electric powered machines  
Elise 900 on duty near Basilica di San Paolo in Rome

# DESIRE TOUHA

# We're growing.

Number of machines produced and company turnover.



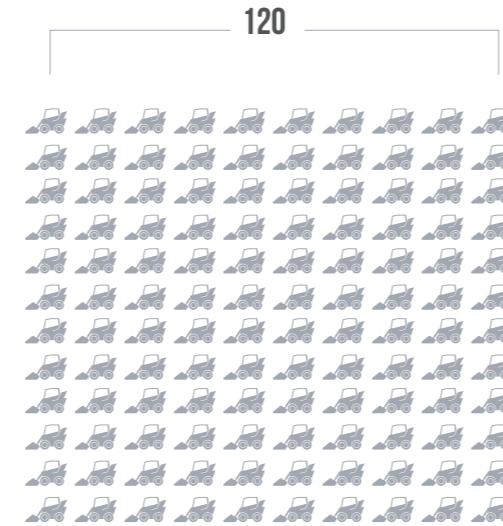
2018



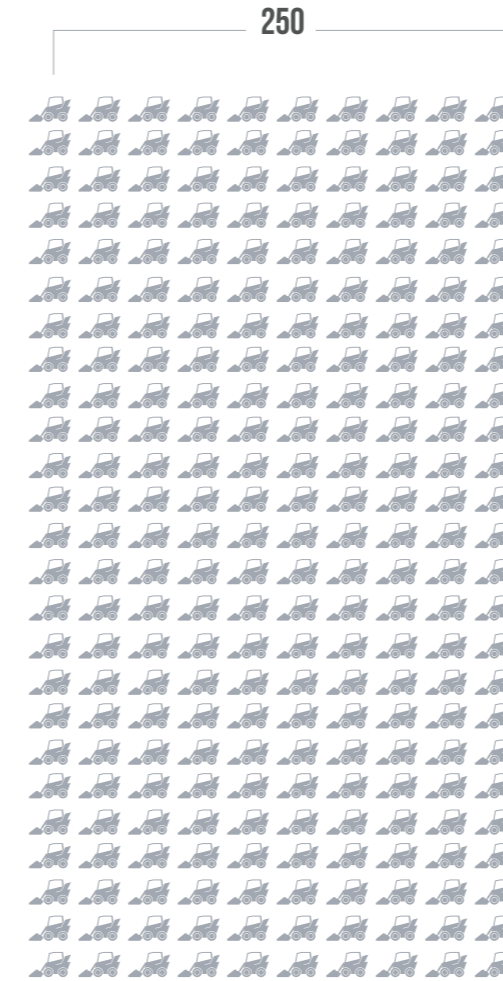
2019



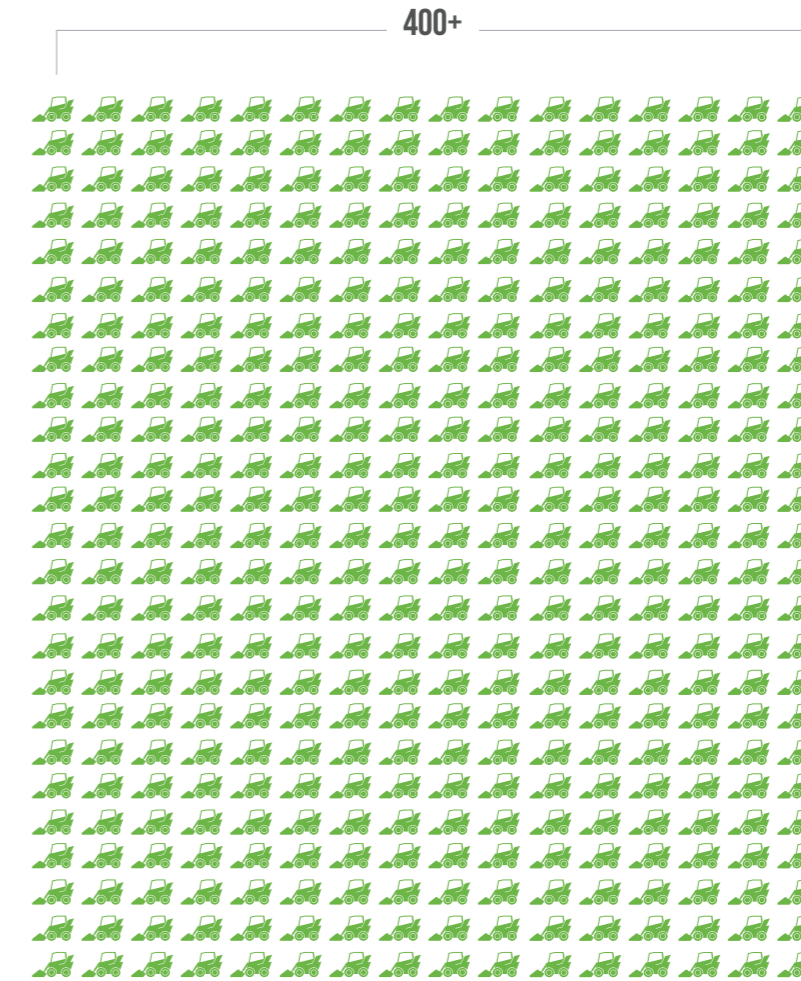
2020



2021



2022



2023

## COMPANY TURNOVER

2020	€ 1,179,224
2021	€ 5,367,265
2022	€ 10,956,897
2023 by plan	€ 18,742,571

We were told that the electrification of heavy machinery was nonsense. We've proved it's not. It took a lot of courage. Courage to stand out from the crowd.

*„Today, we are not afraid to take our electric machines where others aren't willing to go. Into the mountains, freezing temperatures and other extreme conditions. The machines work flawlessly nearly everywhere. The courage has paid off.“*

**VÍTĚZSLAV VOJÁČEK**

INTRAGROUP CONTROLLING MANAGER



Unstoppable performance, in any weather  
Elise 900 on Mölltal Glacier

# COURAGE

# ODVAHA

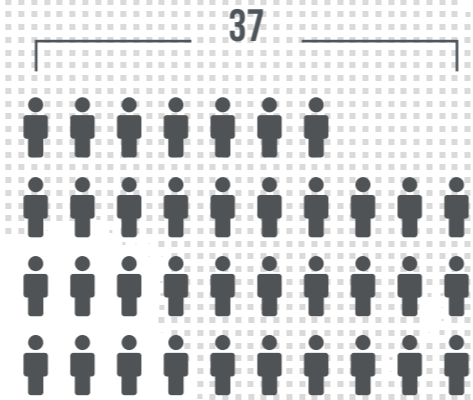
# We think globally.

FGI North Carolina

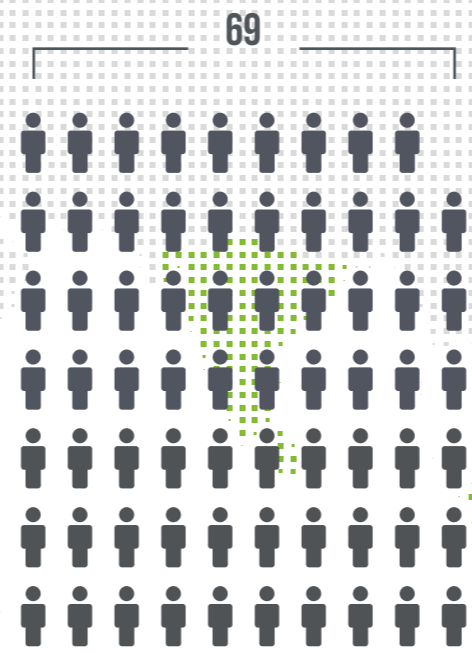
FGI Czech Republic



Dealer network locations in 2020



Dealer network locations in 2021



Dealer network locations in 2022

## 2023 DATA

**90+**  
dealer  
locations

**500+** machines  
manufactured and distributed  
around the world

300+

200+

## FIRSTGREEN KEEPS GROWING

We are growing further, expanding our existing dealer network as well as our in-house sales team, service and sales support. Our R&D team is working on the next generation of MiniZ 400, efficient electrical attachments and other improvements that will take FIRSTGREEN to the next level. We are expanding into new continents, opening up markets in Asia and the Middle East. Our machines are still the only widely available electric skid steer, and we are years ahead of our competition. Together with our existing and new dealers, we are getting our machines into the construction, demolition and agricultural sectors, but also into ports and surface mines. We think electric, and are showing the whole world how to do it.



Life taught us, that without work, nothing can be achieved. You cannot advance and grow. We are not afraid of working hard, because we know that's what creates success. Development, innovation, production, sales and marketing. We're moving all of this forward by leaps and bounds.

*„I work a lot and I work hard. But I believe I'm being rational, healthy and efficient. Work is my driving force, motivation and fun. I would like my family to share the same life and continue my projects.“*

**MARTIN HAVRDA**  
CHAIRMAN OF THE BOARD



Clean and silent, made for protected areas  
Elise 900 working on the olive groves of Sardinia

# HARD WORK PRACOVITOSTI

# Current status & growth

Manufacturing the machine

**3** days

complete assembly

Production hall

**1500** m<sup>2</sup>

of assembly and storage areas  
(with potential for extension)

Production lines

**5**

Elise 900  
stations

**3**

MiniZ 400  
stations

one team per station

Total capacity

**750** units

per year\*

Number of staff

**30+**

in assembly and logistics

Structure

**50/50**

Elise 900 and MiniZ 400

\*with the option to increase capacity

# WORKING ENVIRONMENT

# PRACOVNÍ PROSTŘEDÍ

The FIRSTGREEN Industries production hub, located in Velká Dobrá near Prague, is innovatively designed to prioritise efficiency, employee comfort and safety, and environmental sustainability.

Our facilities are equipped with state-of-the-art production lines and warehouses, complemented by a technologically advanced training centre, a progressive R&D department and logistics offices. Using our versatile polygon, we can fully test and refine our machinery and push our products to new heights of quality and functionality.



# Sustainable company

We are proponents of a sustainable society and rely on the ESG criteria methodology.

We focus on innovation in our technology, strict adherence to internal procedures, ethical behaviour with our partners and employees, as well as environmental sustainability.

## Environment

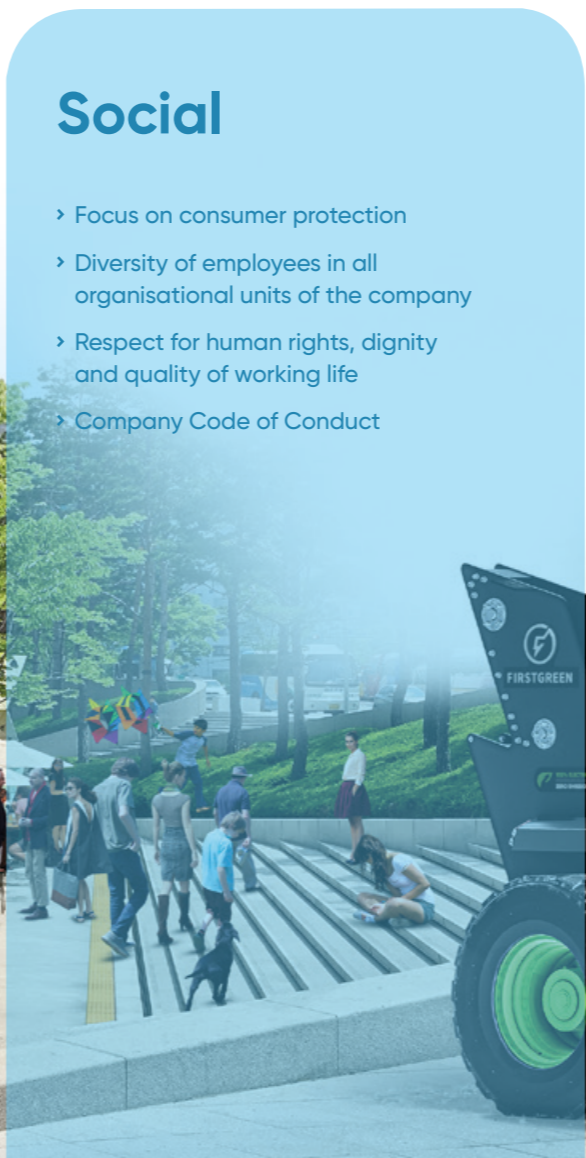
- › Recyclable products
- › Emission-free operation
- › Use of alternative energy sources
- › Electricity in production
- › Bio heating of production halls
- › Consistent recycling of waste
- › Environmentally friendly means of transport

## Social

- › Focus on consumer protection
- › Diversity of employees in all organisational units of the company
- › Respect for human rights, dignity and quality of working life
- › Company Code of Conduct

## Governance

- › Functional organizational structure
- › Employee participation in the ownership structure
- › Clear definition of responsibilities and authority
- › Process control mechanisms
- › Transactional relationships with employees, including remuneration system



Everything we do should contribute to the sustainability of our health, the environment and the resources entrusted to us.

*„Arbol means tree, and like our business, it grows and strengthens gradually but steadily. It is built on a solid foundation and deep roots.“*

**VÁCLAV AUDES**

CHAIRMAN OF THE SUPERVISORY BOARD  
LEGAL AFFAIRS



# SUSTAINABILITY

# UDRŽITELNOST

# Product lineup

Experience 100% electric, zero-emission skid steer with endless modularity.  
We are ready for every scenario.



**mini Z400<sup>MK2</sup>**

Just 79 cm wide to pass through interior doors.



**ELISE CBL**

Cabinless remotely operated loader.



**ELISE 700**

Light and narrow lithium battery powered loader.



**ELISE 900<sup>MK3</sup>**

Medium weight all rounder.



**ELISE 1200<sup>MK3</sup>**

Large capacity loader.



We all have to understand that we are bringing a new technology to our customers.

And they have to change their way of thinking.

## Green solution for the right application.

Our machines are not a general green solution for every application. Although we are believers in our products, we remain rational. When talking to your potential a thorough analysis has to be performed to make sure that the customer receives the desired value added. Even if the result of analysis fails the sale.

## Different philosophy and thinking.

It works different, it sounds different, it is precise and you can set it up according to your needs. It is a computer with a lot of power and endless possibilities. But you have to change your mind when operating the machine. Because no one will come with a reserve tank when you run out of fuel.

## Proper maintenance is the key.

It only works if you treat it right. It is robust, easy to repair, with a very small number of components that can go wrong. But it is not a submarine, and the battery needs proper maintenance to deliver the right performance over time. And you have to transfer this to your customers.

When in doubt, this is why believe our machines are the right ones for you.

It's actually quite simple.

## Fully electric, low noise, zero emmision.

Extreme power, clean operation and minimum noise for the operator and environment are the key elements of our product performance. We continuously improve our machines and batteries to provide longer operating hours and lower energy consumption.

## Cost effective, nearly no maintenance.

Some people may not know these other qualities of battery-powered equipment. With the tiny percentage of moving parts (in comparison with standard diesel engines), there are much fewer repairs needed, reducing operating costs by more than 80%. Please refer to the according materials for detailed information.

## Sustainable and upgradeable.

Our machines are 98% recycleable and are constructed so that every new generation features can be implemented to the older generation of the machines. Keep your machines always up to date through smart retrofit solutions and protect our environment.

# Product features



## Power mode

Power mode uses maximum power (torque) of the machine for drive and hydraulic. This mode needs to be used for hydraulic attachments which require higher hydraulic flow. Due to higher consumption, power mode should not be used as default. There is however an option to set it as default for high-demand operations, but FGI does not recommend that. By using power mode, your battery will drain faster due to higher energy expenditure.



## Remote control functionality

The remote control via the Danfoss remote control for Elise 900 is now self-activating when the seat in the cab is not pressed down. Furthermore, the travel and hydraulic speeds can be changed on the remote control, and as with the MiniZ 400, the speeds can be reduced via the turtle/rabbit switch. Mobile app can be used for remote control of the machine as a backup solution when other systems are malfunctioning.



## Normal mode

The default factory mode. Normal mode provides substantial power, while reducing energy consumption. It was designed to have enough power for operating the machine under normal working conditions and prolonging battery life. Only the torque is limited, Maximum speed is not affected. This results in less soil surface damage. The surrounding area will show fewer signs that a skid steer loader has ever worked there.



## Operator settings / Phone app

FIRSTGREEN machines offer numerous advantages and operating solutions through the FGI app, thanks to their electric drive and digital customization. These encompass multiple features, such as adaptable joystick configurations (ISO pattern, H pattern, and inverted H pattern), Power and Normal modes based on task requirements, integrated diagnostics for troubleshooting on the spot, remote control suite, and the flexibility to enable or disable various sensors on the machine.



## 4 travel and hydraulic speeds

Extreme precision of the machines is achieved by 4 individual speeds that the operator can choose from for both hydraulic and travel functionalities. Can be further modified by operator.



## Demolition Kit

Strong heavy duty demolition kit protects track system and body of the machine against unwanted damage caused by residual material during demolition. Higher durability combined with strong frame of the machine provides perfect solution for construction industry.



## Hardmount display / Phone

Many options can also be accessed through the display within the cab, including customizable joystick settings (ISO pattern, H pattern, inverted H pattern), Power/Normal mode selection based on working conditions, built-in diagnostics, remote phone backup mode, sensor activation, and motor temperature readings. Operators can also manually adjust power levels for the 4 speed settings (5% to 100%), achieving micro speeds at lower ranges. Mobile apps for remote control are published on Google Play and App Store.



## Attachment plate selection

Possibility to choose from 3 different attachment plates to provide end consumer with possibility to use their own fleet of attachments. FGI proprietary, Bobcat M55 and ToroDingo plates available as an option that can be chosen before manufacturing or as a replacement option.



## New Control Panel

Relocation of the controls to the rear, easily accessible part of the machine, providing a faster and more friendly operation, eliminating the need to open the cover for machine operation. Improved protection of the radio antenna and higher safety for operators through new Start/Stop safety button.



## BlueTooth Module

Use joystick radio remote control or your bluetooth mobile phone control. Allows alternative operation using the same mobile application as for the Elise, eliminating problems when radio controlled operation is malfunctioning or remote controller is damaged.





# Research and development

We believe in the continuous improvement of the capabilities of our machines, thus adding value to their existing and new owners. We work on expanding battery capacities for longer life and efficiency, updating control firmware and new capabilities in the form of eAttachments.



2022

## **ELISE 900**<sup>MK3</sup>

The new generation Elise 900 introduces a range of enhancements to optimize operation, improve reliability and machine controllability from the perspective of operator experience. Increased quality of metal parts, including new surface coating technologies, new motors for drive and hydraulics, hard-mount display and technological preparation for future installation of additional components and upgrades takes the capability of the Elise to the next level.



2023

## **LITHIUM-ION BATTERY**

For 2023, we have set ourselves the goal of providing our customers with an advanced lithium battery for both the Elise 900 and MiniZ 400. The aim of the development was zero maintenance and a higher number of charging cycles. This new version is now available as packet option for both machines.



2023

## **miniZ 400**<sup>MK2</sup>

New generation of MiniZ 400 MK2 improves the machine in several ways. The upgraded, robust design maintains the compact size of the machine, but adds protection to critical components and improves overall stability. Improved waterproofing, up to IP67, is a great advantage in agriculture. The new control panel makes the MiniZ 400 MK2 more user-friendly than ever.



2023

## **ELISE 700**

A lightweight version of the Elise, with a lithium battery and smaller wheels. Built for easy transport – weighing just 2,700 kilograms, a full 600 kg lighter than Elise 900, it can be transported behind a regular car on a trailer. It is therefore ideal for rental companies and contractors. Its lighter weight also makes it more agile, with lower energy consumption.

2024



## **CABINLESS ELISE CBL**

Experience a groundbreaking shift with our cabinless skid steer loader. Safety is paramount for us, operate from a distance, avoiding onsite hazards. Revel in unmatched maneuverability, tackling terrains others can't approach. Enjoy precise control every time. With our innovative design, where humans hesitate, we effortlessly lead. Redefine boundaries, choose cabinless control.

We are not indifferent to the world in which our children and their children live and will live. We are not indifferent to the state of the environment.

That is why our machines do not pollute the environment with emissions or excessive noise. That is why we do not burden the environment with unnecessary waste. The batteries used in our machines are fully recyclable.

*„Our projects must be more than just profitable. Our ambition is not to save the world, but to use smart technology to help solve local problems and develop local communities.“*

**VÁCLAV AUDES**  
CHAIRMAN OF THE SUPERVISORY BOARD  
LEGAL AFFAIRS

# ENVIRONMENT

# VZTAH K PŘÍRODĚ

# CLEAN ENERGY

We are aware that batteries are a key part of our machine's performance and reliability. That's why we are constantly striving to increase their capacity, shorten charging times and increase the number of charging cycles. Our newest lithium-ion battery, as well as older lead-acid got BST and MSDS documents and UN38.3 certification as well - their transportation is no problem whatsoever.

SILAD



LEAD-ACID BATTERY

5<sub>h</sub>

charging time

HOPPECKE

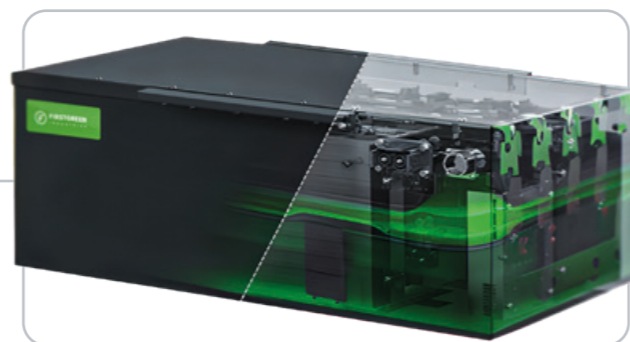


SMART LEAD-ACID BATTERY

6+<sub>h</sub>

of operation

FLASH<sup>®</sup>  
BATTERY



LITHIUM BATTERY

100%

recyclable

1700

charging cycles



380 v

3phase charging with  
Star Charger/HOPPECKE

220 v

1phase charging  
ZIVAN

110 v

1phase charging  
ZIVAN

FLASH<sup>®</sup>  
BATTERY

UHS  
JAKOS

HOPPECKE

SILAD

We strive to keep our machines working flawlessly. To be trouble-free. To be easy to operate. In short, to make people's jobs as easy as possible.

*„Since I was a child, the main thing that bothered me about my grandparents' farm was the breakdown of the machines, which added endless extra hours of work. Hours mean time, of which everyone has so little. That's why I always try to come up with a solution that saves time. That's why we make machines that are fail-safe.“*

**JÁN HANES**

MEMBER OF THE SUPERVISORY BOARD  
SENIOR DEVELOPER



# RELIABILITY

# SPOLEHLIVOST

## SERVICE AND MAINTENANCE

We provide and continuously develop diagnostic tools for our clients with the ability to remotely access a specific machine to provide key operational information. Clients can also access all operational and service documentation through their user account.

NO ENGINE FLUIDS

HIGH SERVICE LIFE OF HYDRAULIC FLUIDS

REMOTE DIAGNOSTICS

REMOTE REPAIRS

COLLECTION AND ANALYSIS OF ERROR MESSAGES

EASY REPLACEMENT OF ALL COMPONENTS

MONITORING AND SOLVING OF ANY PROBLEMS



We enjoy inventing new solutions. That's why our machines are modular and remotely controllable. Both via a dedicated joystick controller, or a mobile app. This makes our machines stand out.

*„When I was a kid in kindergarten, I used to add little electric motors and lights to my cars, which was not met with understanding from my teachers. Fortunately, my dad continued to supply me with various servo motors. Thanks to him, I have been inventing new creative solutions to seemingly simple problems since I was very young.“*

**JÁN HANES**  
MEMBER OF THE SUPERVISORY BOARD  
SENIOR DEVELOPER





**BIG & SMALL**  
VELKÝ A MALÝ



*„Ever since my childhood we have had a small farm in our family and we take care of meadows, pastures and cattle. We often worked with our hands and manpower only, and I started thinking about machines that would make our work easier and save the environment at the same time.“*



**SLAVO PETRENEC**  
SENIOR DEVELOPER

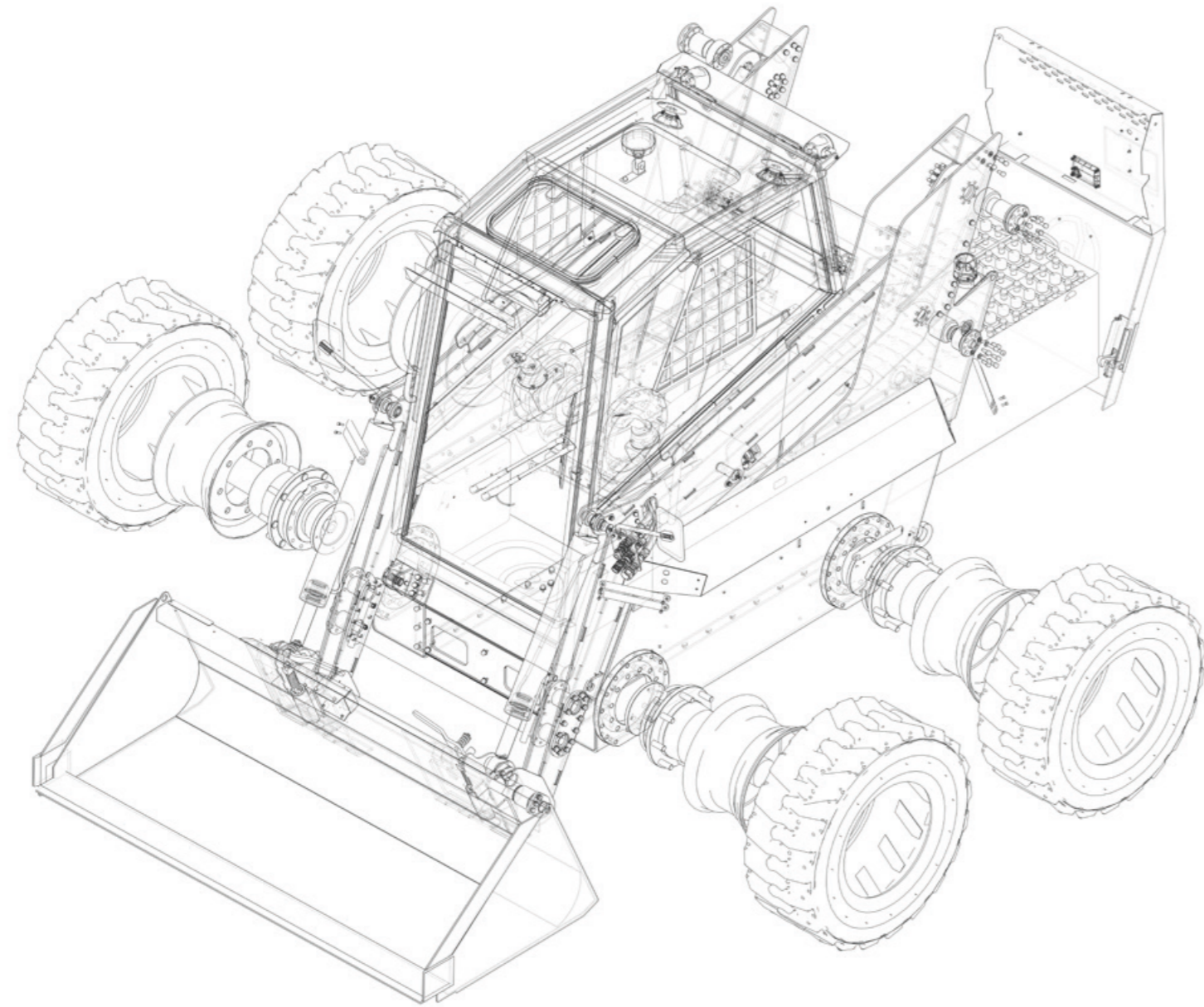
*„I enjoy it immensely when I bring back the sound of an old radio or get an old car up and running. I like vintage cars, from which you can learn the work of the old masters who found simple solutions in complex machines. I then use this experience to further develop our technology.“*

**JÁN HANES**  
SENIOR DEVELOPER

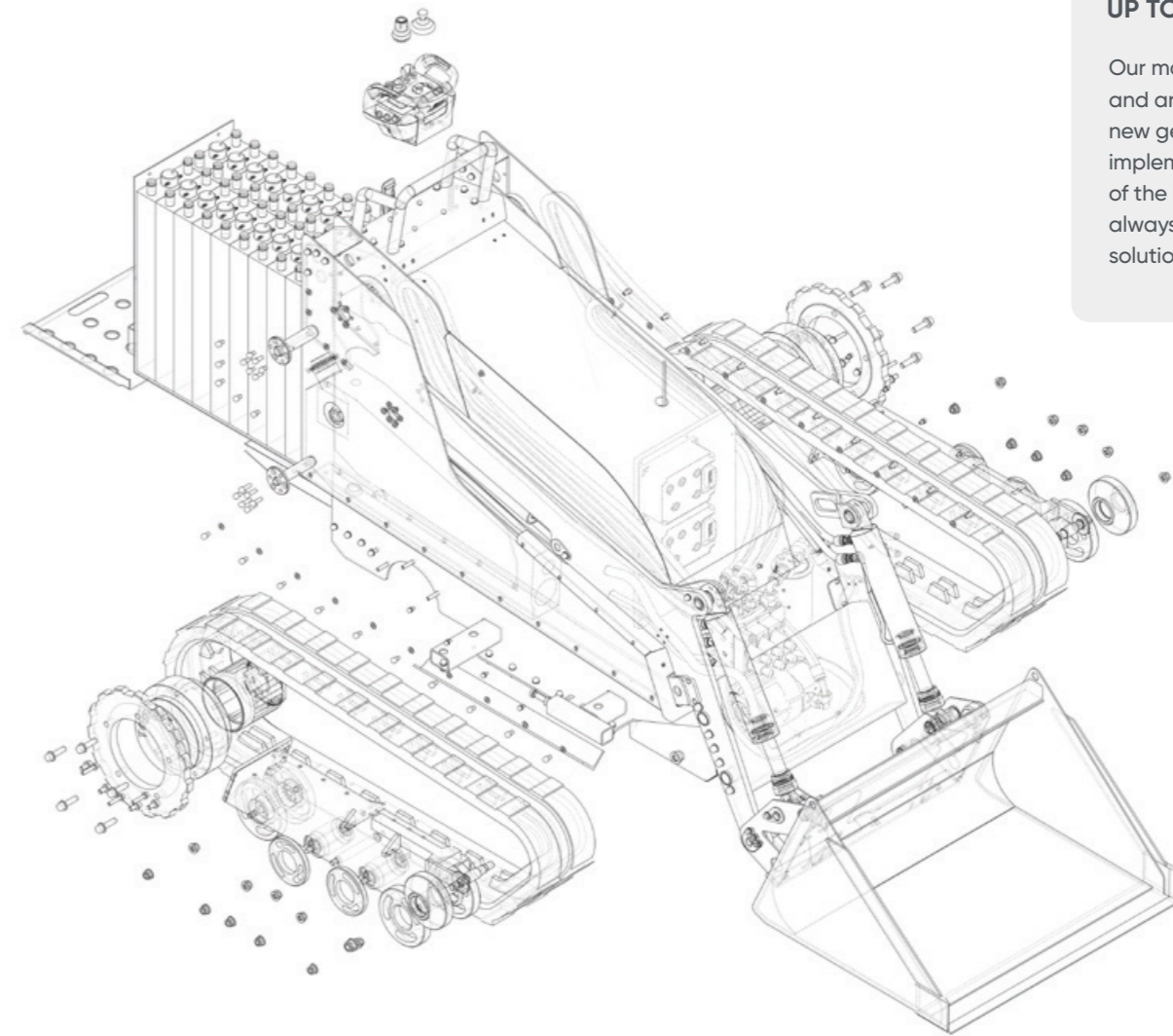
# MANUFACTURING







**Modular construction.**



**KEEP YOUR MACHINE  
UP TO DATE**

Our machines are 98% recyclable and are constructed so that every new generation features can be implemented to the older generation of the machines. Keep your machines always up to date through smart retrofit solutions and protect our environment.

## REMOTE CONTROL

Our machines can be controlled conventionally by an operator inside the cab using a fixed control panel or a mobile phone app.

For added safety, the machine can also be fully controlled via joystick remote control, and the remote-control function in the mobile app can also be used for standby machine operation with direct visibility.

**Control your machine from the warmth of your office.** Teleoperation is a remote control of a machine using an internet data network (i.e. Wifi or 5G). The machine is equipped with cameras and sensors. That means the operator is able to control the machine remotely from anywhere in the world - safely and comfortably.



2,4 GHz Joystick controller

Elise 900 app for iOS and Android (2020)



Bluetooth connection

Radio connection



Mobile app

Mobile + Device + Joystick



Control panel

## EXTENSIVE APPLICATION POSSIBILITIES

Elise 900 and MiniZ 400 make for a helper even in previously unthinkable places, environments, conditions and terrains. This also makes them unique machines.



Recreational, sports facility & mountain resort maintenance



Agriculture / Eco / Bio



Interior construction / Demolition



City construction / Demolition / Landscaping



Recycling / Waste disposal



Power plant maintenance / Mining Industry / Ports and Harbours



Check out our complete range of eAttachments for the full spectrum of our machine options.



**SWEeper**



**ANGLE SWEEPER**



**FORESTRY MULCHER**



**BRUSH CUTTER**



**SNOW BLOWER**



**CONCRETE MIXER**



**FARM FORKS**



**SIDE BRUSH SWEEPER**

**UNIVERSAL HELPERS**

**FOR EVERY BUSINESS**

F U T U R E I S

E L E C T R I C



@fgi.official



@firstgreen\_industries



@firstgreen-industries



@firstgreenindustries

**FIRSTGREEN Industries** +420 737 63 37 33, info@first.green, U Plynárny 1002/97, 101 00 Prague, Czech Republic, ID CZ08900213

Visit our website at **first.green**.